

# BROADBAND PIN SWITCH SPDT WITH INTEGRAL DRIVER

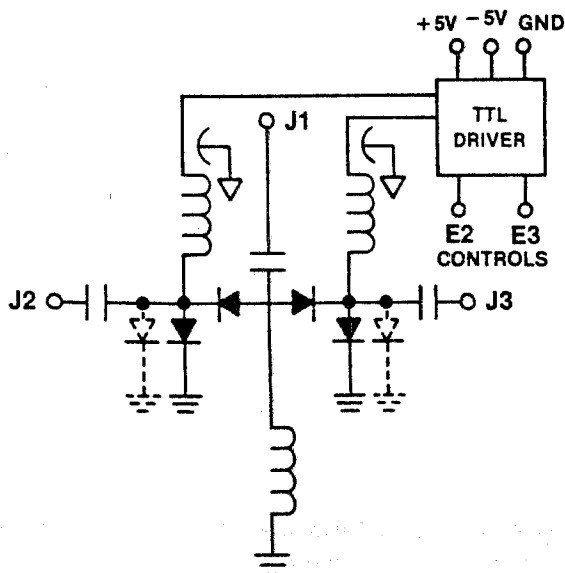
## SWN-218-2A

### 0.3 To 18 GHz

#### FEATURES

- 0.3 to 18 GHz Frequency Range
- Low Insertion Loss
- Small Size
- Light Weight
- Rugged Chip and Microstrip Construction
- Integral TTL Compatible Driver

#### FUNCTIONAL SCHEMATIC



07/94

#### SPECIFICATIONS

- Frequency Range: 0.3 to 18 GHz
- Insertion Loss: 2.5 dB, Max.
- Isolation: 55 dB, Min.
- VSWR: 2.0 to 1
- Rise/Fall Time: 50 ns Max.
- Power Handling: +20 dBm, CW, Max.
- Operating Temp.: -65° C to +85° C
- DC Power: +5V DC @ 65 mA, Max.  
-5V DC @ 50 mA, Max.

#### DESCRIPTION

The SWN-218-2A is a SPDT Pin Switch intended for wide band switching applications in commercial and military environments. It has an instantaneous frequency coverage from 0.3 to 18 GHz and features all solid state chip diode and microstrip construction for rugged, reliable operation. Hybrid driver circuitry features reverse voltage and over-voltage protection.

## STANDARD UNIT

FREQUENCY (GHz)	<u>0.3</u>	<u>2.0</u>	<u>4.0</u>	<u>8.0</u>	<u>12.4</u>	<u>18.0</u>
MAX. INSERTION LOSS (dB)	1.2	1.2	1.3	1.3	2.0	2.5
MIN. ISOLATION (dB)	85	80	75	70	65	55
MAX. VSWR	1.7	1.5	1.5	2.0	2.0	2.0

## HUMIDITY, SHOCK, ETC., PER MIL-STD 202C

### OPTIONS:

- 001 35 dB MIN ISOLATION
- 002 INDEPENDENT CONTROLS
- 003 SMA MALE CONNECTORS
- 004 + 15 VOLT SUPPLY
- 005 REVERSE LOGIC
- 006 - 15 VOLT SUPPLY
- 007 10 NS, MAX SWITCHING SPEED
- 008 EXTEND FREQUENCY TO 100 MHz
- 009 30 NS, MAX DELAY
- 010 - 12 VOLT SUPPLY
- 011 Off ARM TERMINATION  
INSERTION LOSS OF 3.5 dB MAXIMUM
- 103 INTEGRAL VIDEO FILTERS (FREQUENCY 2-18 GHz)  
INSERTION LOSS INCREASE OF 0.75 dB MAXIMUM

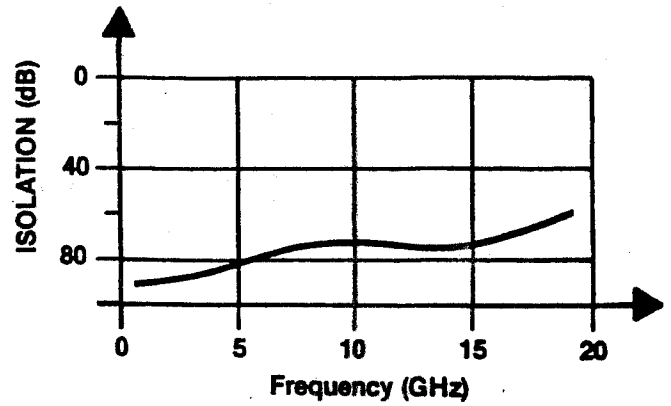
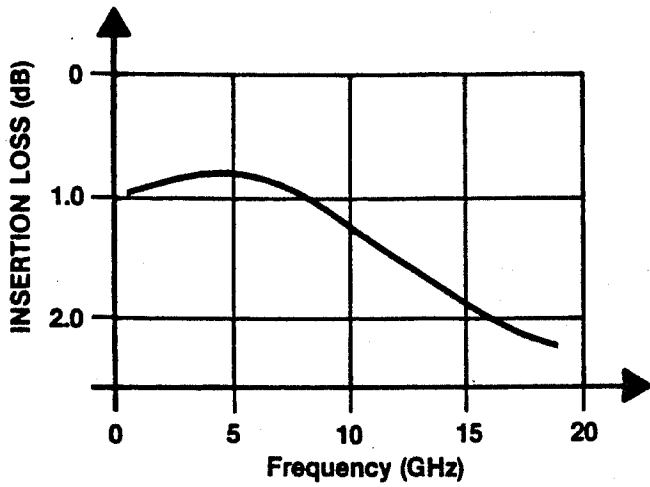
### NOTES:

1. Switching Speeds are:  
10%-90% RF and 90%-10% RF

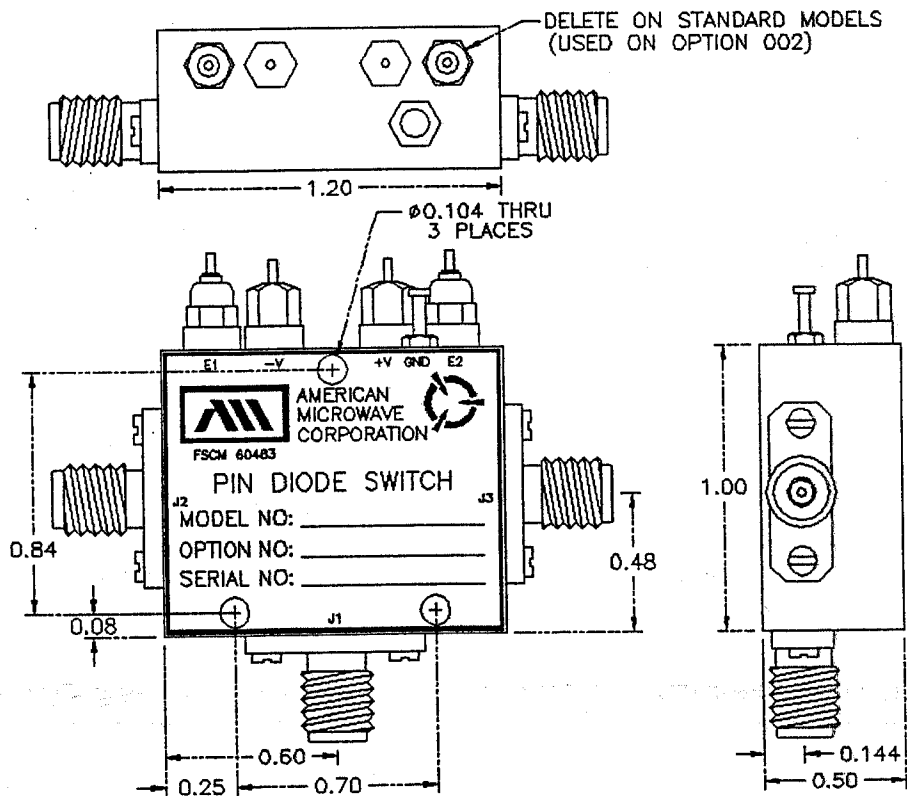
## ENVIRONMENTAL RATINGS

- Operating Temperature - 65° C to 110° C
- Non-Operating Temperature - 65° C to 125° C
- Humidity MIL-STD-202F, METHOD 103B
- Shock MIL-STD-202F, METHOD 213B
- Vibration MIL-STD-202F, METHOD 204D
- Altitude MIL-STD-202F, METHOD 105C
- Temp Cycling MIL-STD-202F, METHOD 107D

# TYPICAL PERFORMANCE



# MECHANICAL DATA



### LOGIC TABLE

LOGIC	RF ON	RF OFF
0	J1-J2	J1-J3
1	J1-J3	J1-J2